



The dishwashers

Dishwashers 400 series	338
Planning notes	342
Accessories special accessories	350
Technical specifications	352


DF 481 162 € 15,290

fully integrated
Height 86.5 cm

DF 480 162 € 15,290

fully integrated
Height 81.5 cm

Included in the price

- 1 baking tray spray head
- 1 holder for long-stemmed glasses
- 2 GN container inserts
- 1 stainless steel trim kit

Installation accessories
DA 021 000 € 890

Hinge for all fully integrated
dishwashers

GZ 010 011 € 350

Aqua stop extension (2 m long)
Extends the water inlet and outlet.

Special accessories
DA 041 160 € 890

Cutlery drawer with smooth running
rails

3rd level above the upper basket.

For large pieces of cutlery, cooking
utensils and espresso cups.

13 place setting capacity with all
3 levels.

DA 042 030 € 210

Silvercare cartridge for all dishwashers

DA 043 000 € 290

Holder for long-stemmed glasses

Offers safe positioning for up to four
long-stemmed glasses during the
dishwashing process and ensures an
optimal cleaning result.

For positioning in the lower basket.

Dishwasher 400 series
DF 481/DF 480

- Optimal protection for sensitive glassware by low temperature drying with zeolite and intelligent water softening
- 8 programmes with aqua sensor and 5 options, such as Power and Intensive:
 - Clean and dry dishes in 57 minutes
 - Intensive cleaning in the lower basket while protecting glassware in the upper basket
- Flexible basket system with smooth running rails on all levels and cushioned closing of the upper and lower basket
- TFT display for intuitive handling of all functions
- Remaining time projection onto the kitchen floor
- Perfectly illuminated interior
- Push-to-open function for perfect integration into handleless furniture fronts
- Very quiet: 43 dB
- Energy efficiency class A+++
- Aqua stop with guarantee

Handling

TFT display indicating remaining or end time, refill for salt and rinsing agent, inflow of water. Touch key operation.

Information key with use indications. Time delay up to 24 hours.

Visual and acoustic end of programme indicator.

Remaining time projection.

Technical Features

Perfectly illuminated interior.

Glass protection with zeolite.

Aqua sensor.

Load sensor.

Automatic detergent function.

Regeneration electronics.

Heat exchanger.

Continuous flow heater.

Triple filter system.

Soft lock.

Aqua stop with guarantee.

Home network integration for digital services (Home Connect) wireless via WiFi.

The use of the Home Connect functionality depends on the Home Connect services, which are not available in every country. For further information please check: home-connect.com.

Please read additional information on Home Connect on page 356.

Programmes

8 programmes:

Auto 35 °C - 45 °C.

Auto 45 °C - 65 °C.

Auto 65 °C - 75 °C.

Intensive 70 °C.

Standard Eco 50 °C.

Night programme.

Quick wash 45 °C (29 min.).

Pre-rinse.

5 options:

Intensive.

Power.

Half Load.

Hygiene.

Extra Dry.

Features

Flexible basket system with smooth running rails on all levels and cushioned closing of the upper and lower basket.

Upper basket:

Over extension.

Rackmatic with 3 levels, adjustable in height up to 5 cm.

6 folding spines.

4 folding racks.

2 glass support bars.

Lower basket:

8 folding spines.

2 folding racks.

Dividable glass support.

Cutlery basket.

Holder for long-stemmed glasses.

Maximum dish sizes

(upper/lower basket)

for 86.5 cm high dishwashers:

29/28, 26.5/30.5 or 24/34 cm respectively.

Maximum dish sizes

(upper/lower basket)

for 81.5 cm high dishwashers:

27/25, 24.5/27.5 or 22/31 cm respectively.

12 place setting capacity.

Maximum glass loading capacity
23 wine glasses.

Consumption data

Energy efficiency class A+++ at a range of energy efficiency classes from A+++ to D.

From 9.5 l water.

From 0.8 kWh.

Noise level 43 dB (re 1 pW).

Planning notes

Height-adjustable feet.

Appliance plinth recess 100 mm (see drawing).

To display the remaining time projection, a minimum plinth protrusion is required (40 mm + thickness of the furniture front).

The maximum plinth height must be reduced by 30 mm to provide an optimal display of the remaining time projection.

Rear feet adjustable at front.

Door weight up to 10/8.5 kg.

Door panel dimension dependent on plinth height of kitchen furniture.

Installation and usage also with furniture handle possible. The push-to-open function remains active.

For installation into a tall unit, ventilation openings are recommended (min. 200 cm²).

Please read additional planning notes on page 342 – 349.

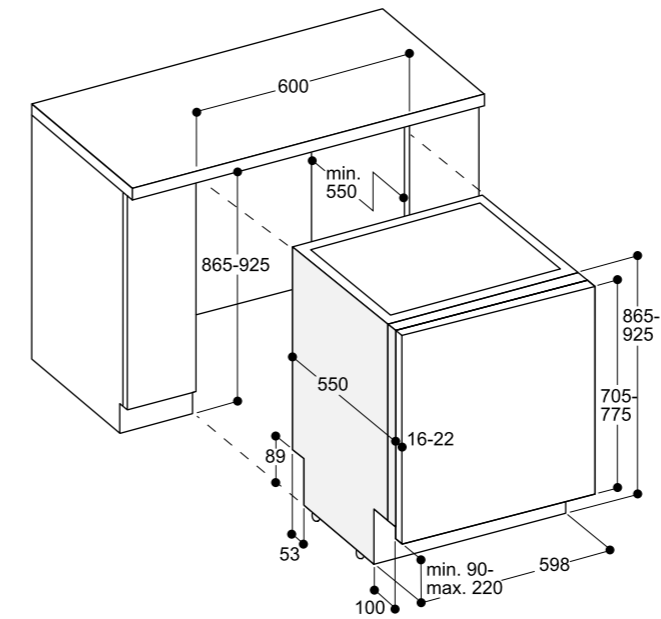
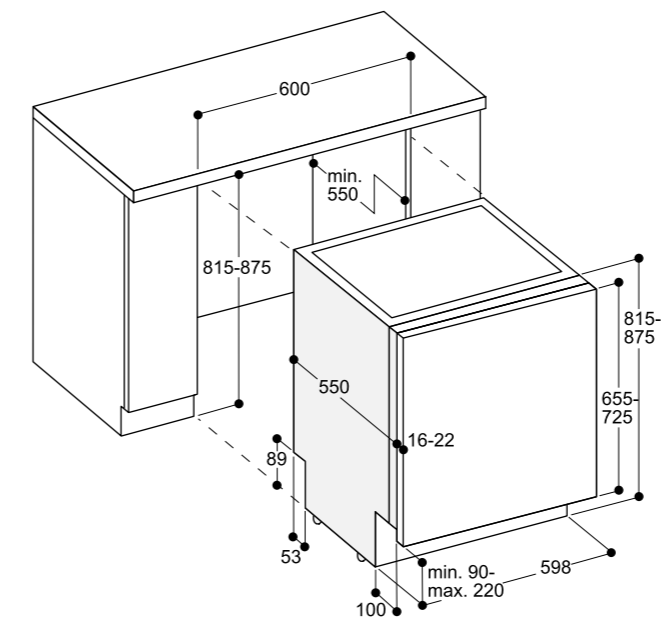
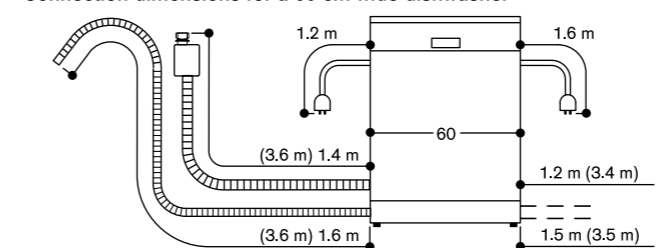
Connection

Total connected load 2.4 kW.

Connecting cable pluggable.

Water connection with 3/4" screw joint.

Connection to hot or cold water possible.

86.5 cm high dishwasher

81.5 cm high dishwasher

Connection dimensions for a 60 cm wide dishwasher


() values with extension kit


DF 481 162F € 16,390

fully integrated
with flexible hinge
Height 86.5 cm

DF 480 162F € 16,390

fully integrated
with flexible hinge
Height 81.5 cm

Included in the price

- 1 baking tray spray head
- 1 holder for long-stemmed glasses
- 2 GN container inserts
- 1 stainless steel trim kit

Installation accessories
GZ 010 011 € 350

Aqua stop extension (2 m long)
Extends the water inlet and outlet.

Special accessories
DA 041 160 € 890

Cutlery drawer with smooth running rails

3rd level above the upper basket.
For large pieces of cutlery, cooking utensils and espresso cups.

13 place setting capacity with all 3 levels.

DA 042 030 € 250

Silvercare cartridge for all dishwashers

DA 043 000 € 290

Holder for long-stemmed glasses
Offers safe positioning for up to four long-stemmed glasses during the dishwashing process and ensures an optimal cleaning result.

For positioning in the lower basket.

Dishwasher 400 series
DF 481/DF 480

- Optimal protection for sensitive glassware by low temperature drying with zeolite and intelligent water softening
- 8 programmes with aqua sensor and 5 options, such as Power and Intensive:
 - Clean and dry dishes in 57 minutes
 - Intensive cleaning in the lower basket while protecting glassware in the upper basket
- Flexible basket system with smooth running rails on all levels and cushioned closing of the upper and lower basket
- TFT display for intuitive handling of all functions
- Perfectly illuminated interior
- Push-to-open function for perfect integration into handleless furniture fronts
- Very quiet: 43 dB
- Energy efficiency class A+++
- Aqua stop with guarantee

Handling

TFT display indicating remaining or end time, refill for salt and rinsing agent, inflow of water.
Touch key operation.
Information key with use indications.
Time delay up to 24 hours.
Visual and acoustic end of programme indicator.
Info-Light.

Technical Features

Perfectly illuminated interior.
Glass protection with zeolite.
Aqua sensor.
Load sensor.
Automatic detergent function.
Regeneration electronics.
Heat exchanger.
Continuous flow heater.
Triple filter system.
Soft lock.
Aqua stop with guarantee.
Home network integration for digital services (Home Connect) wireless via WiFi.
The use of the Home Connect functionality depends on the Home Connect services, which are not available in every country. For further information please check: home-connect.com.

Please read additional information on Home Connect on page 356.

Programmes

8 programmes:
Auto 35 °C - 45 °C.
Auto 45 °C - 65 °C.
Auto 65 °C - 75 °C.
Intensive 70 °C.
Standard Eco 50 °C.
Night programme.
Quick wash 45 °C (29 min.).
Pre-rinse.

5 options:
Intensive.
Power.
Half Load.
Hygiene.
Extra Dry.

Features

Flexible basket system with smooth running rails on all levels and cushioned closing of the upper and lower basket.

Upper basket:
Over extension.
Rackmatic with 3 levels, adjustable in height up to 5 cm.
6 folding spines.
4 folding racks.
2 glass support bars.

Lower basket:
8 folding spines.
2 folding racks.
Dividable glass support.
Cutlery basket.
Holder for long-stemmed glasses.

Maximum dish sizes
(upper/lower basket)
for 86.5 cm high dishwashers:
29/28, 26.5/30.5 or 24/34 cm respectively.

Maximum dish sizes
(upper/lower basket)
for 81.5 cm high dishwashers:
27/25, 24.5/27.5 or 22/31 cm respectively.

12 place setting capacity.
Maximum glass loading capacity
23 wine glasses.

Consumption data

Energy efficiency class A+++ at a range of energy efficiency classes from A+++ to D.
From 9.5 l water.
From 0.8 kWh.
Noise level 43 dB (re 1 pW).

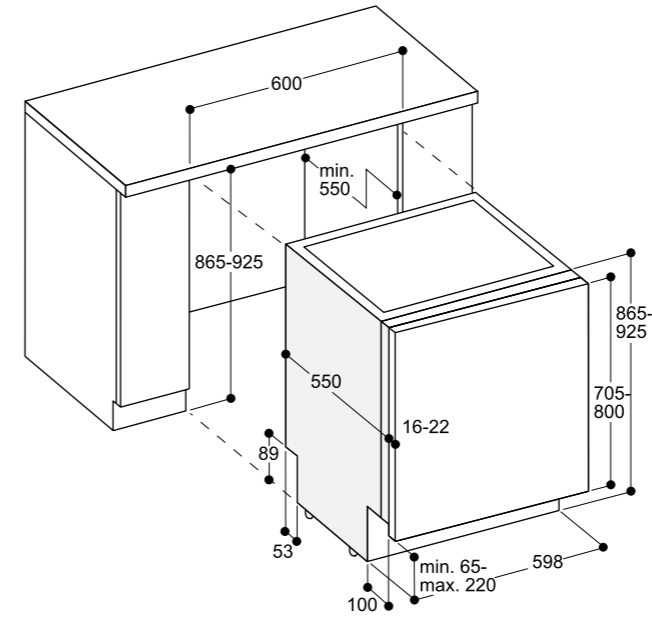
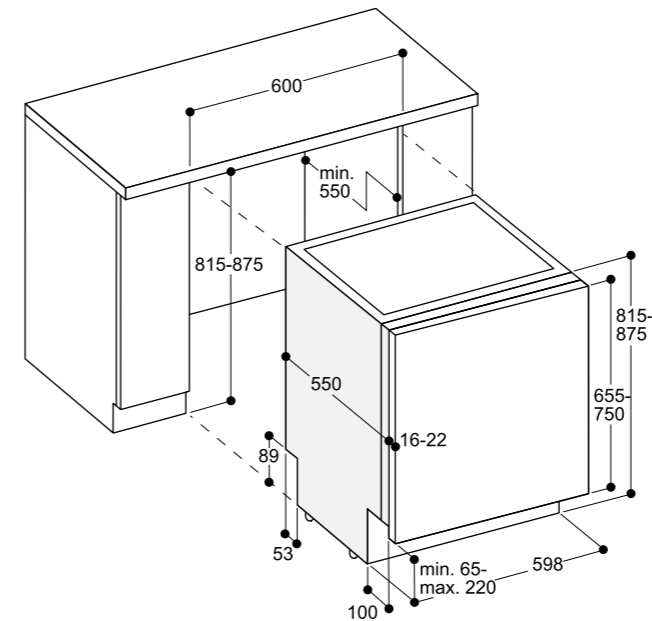
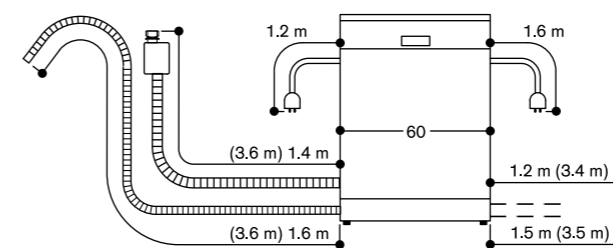
Planning notes

Height-adjustable feet.
Appliance plinth recess 100 mm (see drawing).
Rear feet adjustable at front.
Door weight up to 10/8.5 kg.
Door panel dimension dependent on plinth height of kitchen furniture.
Installation and usage also with furniture handle possible. The push-to-open function remains active.
For installation into a tall unit, ventilation openings are recommended (min. 200 cm²).

Please read additional planning notes, also concerning flexible hinge, on page 342 – 349.

Connection

Total connected load 2.4 kW.
Connecting cable pluggable.
Water connection with 3/4" screw joint.
Connection to hot or cold water possible.

86.5 cm high dishwasher with flexible hinge

81.5 cm high dishwasher with flexible hinge

Connection dimensions for a 60 cm wide dishwasher


() values with extension kit

For niche heights from 815 to 860 mm, in most cases, the 81.5 cm high dishwasher must be planned, regardless of the plinth height.

For niche heights from 880 to 925 mm, in most cases, the 86.5 cm high dishwasher must be planned, regardless of the plinth height.

If the niche height amounts between 865 and 875 mm, please note: Whether the 81.5 cm high dishwasher or the 86.5 cm high dishwasher can be used here depends on the plinth height.

If the installation of a dishwasher with flexible hinge is necessary or not depends on several factors.

The door panels cannot be used with dishwashers with flexible hinge.

Plinth height in mm	Cabinet height 655-750 mm										Cabinet height 705-800 mm												
	815	820	825	830	835	840	845	850	855	860	865	870	875	880	885	890	895	900	905	910	915	920	925
65	1										6												
70	1	1									6	6											
75	1	1	1								6	6	6										
80	1	1	1	1							6	6	6	6									
85	1	1	1	1	1						6	6	6	6	6								
90	1	1	1	1	1	1					6	6	6	6	6	6							
95	1	1	1	1	1	1	1				6	6	6	6	6	6	6						
100	1	1	1	1	1	1	1	1			6	6	6	6	6	6	6	6					
105	1	1	1	1	1	1	1	1	1		6	6	6	6	6	6	6	6	6				
110	1	1	1	1	1	1	1	1	1	1	6	6	6	6	6	6	6	6	6	6			
115	1	1	1	1	1	1	1	1	1	1	1 6	6	6	6	6	6	6	6	6	6	6		
120	1	1	1	1	1	1	1	1	1	1	1 6	1 6	6	6	6	6	6	6	6	6	6	6	6
125	1	1	1	1	1	1	1	1	1	1	1 6	1 6	1 6	6	6	6	6	6	6	6	6	6	6
130	1	1	1	1	1	1	1	1	1	1	1 6	1 6	1 6	6	6	6	6	6	6	6	6	6	6
135	1	1	1	1	1	1	1	1	1	1	1 6	1 6	1 6	6	6	6	6	6	6	6	6	6	6
140	1	1	1	1	1	1	1	1	1	1	1 6	1 6	1 6	6	6	6	6	6	6	6	6	6	6
145	1	1	1	1	1	1	1	1	1	1	1 6	1 6	1 6	6	6	6	6	6	6	6	6	6	6
150	1	1	1	1	1	1	1	1	1	1	1 6	1 6	1 6	6	6	6	6	6	6	6	6	6	6
155	1	1	1	1	1	1	1	1	1	1	1 6	1 6	1 6	6	6	6	6	6	6	6	6	6	6
160	1	1	1	1	1	1	1	1	1	1	1 6	1 6	1 6	6	6	6	6	6	6	6	6	6	6
165		1	1	1	1	1	1	1	1	1	1	1 6	1 6	6	6	6	6	6	6	6	6	6	6
170			1	1	1	1	1	1	1	1	1	1	1 6	6	6	6	6	6	6	6	6	6	6
175				1	1	1	1	1	1	1	1	1	1	6	6	6	6	6	6	6	6	6	6
180					1	1	1	1	1	1	1	1	1		6	6	6	6	6	6	6	6	6
185						1	1	1	1	1	1	1	1			6	6	6	6	6	6	6	6
190							1	1	1	1	1	1	1				6	6	6	6	6	6	6
195								1	1	1	1	1	1					6	6	6	6	6	6
200									1	1	1	1	1						6	6	6	6	6
205										1	1	1	1							6	6	6	6
210											1	1	1								6	6	6
215												1	1									6	6
220													1										6

1 = 81.5 cm high dishwasher with flexible hinge DF 480 162F / DF 260 165F
 6 = 86.5 cm high dishwasher with flexible hinge DF 481 162F / DF 261 165F

Flexible basket system

Flexible basket system with smooth running rails on all levels and cushioned closing of the upper and

lower basket. For more flexibility and easier handling when loading and unloading the dishwasher.

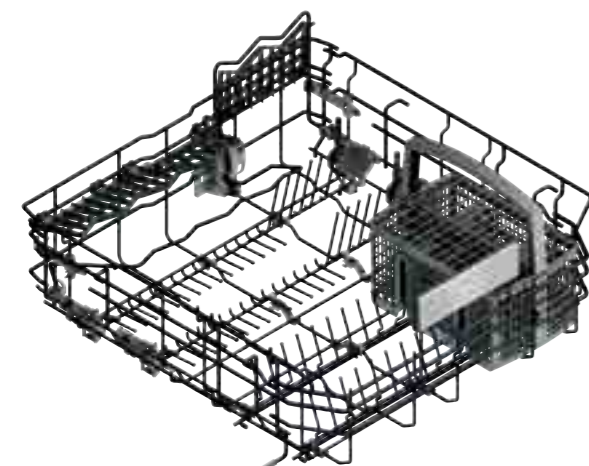
Upper basket

6 folding spines. 4 folding racks. 2 glass support bars. With over extension, smooth running rails and cushioned closing as well as rackmatic with 3 levels, adjustable in height up to 5 cm. Handle for easier removal of the upper basket.



Lower basket

8 folding spines. 2 folding racks. Dividable glass support. Cutlery basket. With smooth running rails and cushioned closing. Handle for easier removal of the lower basket.



DA 020 010 € 350

Stainless steel trim kit for all 81.5 cm high dishwashers
Set of 2, for left and right.
To cover the gap between appliance and adjacent furniture and for better fixation of the appliance in the niche. The white frame is replaced by a stainless steel trim kit.
W x D in cm: 2.2x2.0.
Height 62.2 cm.

DA 020 110 € 350

Stainless steel trim kit for 86.5 cm high dishwashers
Set of 2, for left and right.
To cover the gap between appliance and adjacent furniture and for better fixation of the appliance in the niche. The white frame is replaced by a stainless steel trim kit.
W x D in cm: 2.2x2.0.
Height 67.2 cm.

DA 021 000 € 890

Hinge for all fully integrated dishwashers
Installation solution for all dishwashers with a niche height of up to 92 cm and split furniture panel.
The hinge is fastened to the plinth of the appliance and the lower part of the split furniture panel is mounted onto it. Height upper part of the split furniture panel:
64.5 – 68 cm for 81.5 cm high dishwashers.
69.5 – 73 cm for 86.5 cm high dishwashers.

DA 041 160 € 890

Cutlery drawer with smooth running rails
3rd level above the baskets.
For large pieces of cutlery, cooking utensils and espresso cups.
13 place setting capacity with all 3 levels.



DA 041 061 € 890

Cutlery drawer
3rd level above the baskets.
For large pieces of cutlery, cooking utensils and espresso cups.
14 place setting capacity with all 3 levels.



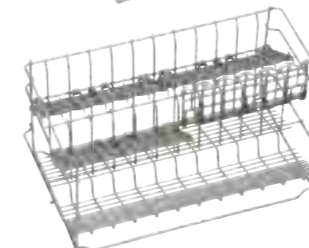
DA 042 030 € 250

Silvercare cartridge for all dishwashers
Made of aluminium to protect silverware from corrosion.
Easy use of cartridge in the cutlery basket.
W x H x D in cm: 5.5x20.2x4.1.



DA 043 060 € 405

Glass basket
Special basket to prevent tipping of cups or long stemmed glasses.
Fold the folding spines in the lower basket down to fit the glass basket.
Holds max. 12 long stemmed glasses or 24 cups.
Glass basket with 4 folding racks, silver-coloured.
W x H x D in cm: 49x23x26.



DA 043 000 € 290

Holder for long-stemmed glasses
Offers safe positioning for up to four long-stemmed glasses during the dishwashing process and ensures an optimal cleaning result.
For positioning in the lower basket.



DA 231 010 € 3,190

Stainless steel-backed full glass door for 81.5 cm high dishwashers
Height adjustable by 49 mm, height 67 to 71.9 cm.
W x D in cm: 59x1.9.
Handle: W x D x Ø in cm: 45x4.9x1.4.

DA 231 110 € 3,190

Stainless steel-backed full glass door for 86.5 cm high dishwashers
Height adjustable by 49 mm, height 72 to 76.9 cm.
W x D in cm: 59x1.9.
Handle: W x D x Ø in cm: 45x4.9x1.4.



GH 035 010 € 250

Handle bar with 2 mounts, stainless steel, Length 35 cm, drilling distance 327 mm



GH 045 010 € 300

Handle bar with 2 mounts, stainless steel, Length 45 cm, drilling distance 427 mm



GZ 010 011 € 35

Aqua stop extension (2 m long)
Extends the water inlet and outlet.





Appliance type	Dishwasher	Dishwasher
Model	Fully integrated	Fully integrated
Panel colour		
Appliance height 81.5 cm	DF 480 162	
Appliance height 86.5 cm	DF 481 162	
Appliance height 81.5 cm with flexible hinge		DF 480 162F
Appliance height 86.5 cm with flexible hinge		DF 481 162F
Width/capacity		
Width (cm)	60	60
Capacity in place settings	12/13 ³	12/13 ³
Dish size up to (cm)	31/34 ²	31/34 ²
Consumption data/noise level⁵		
Energy efficiency class	A+++	A+++
Drying efficiency class	A	A
Test programme	Standard Eco 50 °C	Standard Eco 50 °C
Cycle time test programme	195	195
Water consumption (l)	9.5	9.5
Energy consumption (kWh)	0.8	0.8
Total annual energy consumption (280 cycles) ⁶ (kWh)	230	230
Total annual water consumption (280 cycles) ⁶ (l)	2.660	2.660
Noise level (dB (re 1 pW))	43	43
Energy consumption off-mode/left-on mode (W)	0.5/0.5	0.5/0.5
Programmes		
Number of programmes + options	8 + 5	8 + 5
Programmes	Auto 35 °C–45 °C	Auto 35 °C–45 °C
	Auto 45 °C–65 °C	Auto 45 °C–65 °C
	Auto 65 °C–75 °C	Auto 65 °C–75 °C
	Intensive 70 °C	Intensive 70 °C
	Standard Eco 50 °C	Standard Eco 50 °C
	Night programme	Night programme
	Quick wash 45 °C	Quick wash 45 °C
Options	Pre-rinse	Pre-rinse
	Intensive	Intensive
	Power (57 min.)	Power (57 min.)
	Half Load	Half Load
	Hygiene	Hygiene
	Extra Dry	Extra Dry
Features		
Glass protection with zeolite / Glass protection	•/–	•/–
Aqua sensor / Load sensor	•/•	•/•
Automatic detergent function	•	•
Regeneration electronics	•	•
Heat exchanger	•	•
Low temperature drying with Zeolite	•	•
Automatic door opening	–	–
Continuous flow heater	•	•
Electronic refill indicator for salt/rinsing agent	•/•	•/•
Inflow water indicator	•	•
Time remaining indicator	•	•
Remaining time projection	•	–
Info-Light	–	•
Bright interior lighting through illuminated backwall / through LED spots	•/–	•/–
Time delay	24 h	24 h
Digital services (Home Connect) wireless via WiFi. ⁸	•	•
Soft lock	•	•
Triple filter system	•	•
Cutlery drawer	DA 041 160 ⁷	DA 041 160 ⁷
Smooth running rails / Cushioned closing	•/•	•/•
Folding spines in upper/lower basket	6/8	6/8
Folding racks in upper/lower basket	4/2	4/2
Rackmatic with 3 levels	•	•
Aqua stop with guarantee	•	•
Baking tray spray head / Gastronorm insert holder / Holder for longstemmed glasses / Stainless steel trim kits	•/•/•/•	•/•/•/•
Connection		
Connection to hot/cold water possible	•/•	•/•
Total connected load (kW)	2.4	2.4

• Standard. – Not available.

¹ Appliance height 81.5 cm. ² Appliance height 86.5 cm. ³ With special accessory DA 041 160. ⁴ With special accessory DA 041 061.

⁵ Values according to EU regulation 1059/2010. ⁶ Effective consumption depending on type of use of appliance. ⁷ Special accessory.

⁸ The use of the Home Connect functionality depends on the Home Connect services, which are not available in every country.